

OVER-THE-RANGE MICROWAVE OVEN SM01761KSC, SM01961KSC INSTALLATION MANUAL

IMPORTANT SAFETY INSTRUCTIONS

BEFORE YOU BEGIN

Read these instructions completely and carefully.

Note to Installer – Leave these instructions with the consumer.

- Installation of this appliance requires basic mechanical and electrical skills.
- Proper installation is the responsibility of the installer.
- Product failure due to improper installation is not covered under the Warranty.

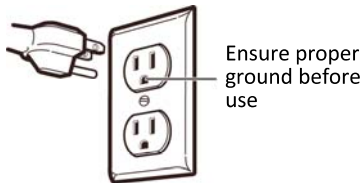
Note to Consumer – Keep these instructions for future reference.

- Save these instructions for the local inspector's use.
- Observe all governing codes and ordinances.

IMPORTANT SAFETY INSTRUCTIONS

IMPORTANT – PLEASE READ CAREFULLY. FOR PERSONAL SAFETY, THIS APPLIANCE MUST BE PROPERLY GROUNDED TO AVOID SEVERE OR FATAL SHOCK.

This product requires a three-prong, properly grounded outlet for safe operation. If not properly grounded, or if the outlet box does not meet electrical requirements (see "ELECTRICAL REQUIREMENTS"), a qualified electrician should be employed to correct any deficiencies.



The power cord of this appliance is equipped with a three-prong (grounding) plug which mates with a standard three-prong (grounding) wall receptacle to minimize the possibility of electric shock hazard from this appliance.

You should have the wall receptacle and circuit checked by a qualified electrician to make sure that the receptacle is properly grounded.

Where a standard two-prong wall receptacle is encountered, it is especially important to have it replaced with a properly grounded three-prong wall receptacle, installed by a qualified electrician.

DO NOT, UNDER ANY CIRCUMSTANCES, CUT, DEFORM, OR REMOVE ANY OF THE PRONGS FROM THE POWER CORD. DO NOT USE WITH AN EXTENSION CORD.

ELECTRICAL REQUIREMENTS

The product rating of your microwave is 120 volts AC, 60 Hertz, and 1.50 kilowatts. This product must be connected to a supply circuit of the proper voltage and frequency. Wire size must conform to the requirements of the National Electrical Code or the prevailing local for this kilowatt rating. The power supply cord and plug should be brought to a separate 15 ampere branch circuit single grounded outlet. The outlet box should be located in the cabinet above the microwave oven. The outlet box and supply circuit should be installed by a qualified electrician and conform to the National Electrical Code or the prevailing local code.

CAUTION FOR PERSONAL SAFETY

- To avoid severe or fatal shock injury, remove the house fuse or open the circuit breaker before beginning installation.
- The mounting surface must be capable of supporting the cabinet load, in addition to the weight of this 50-70 lb (22.68-31.75 kg) product and oven loads of up to 50 lbs (22.68 kg), for a total weight of 100-120 lbs (45.36-54.43 kg).
- This product cannot be installed in cabinet arrangements such as an island or a peninsula. It must be mounted to BOTH a top cabinet AND a wall.
- For easier installation and personal safety, we recommend that two people install this microwave oven.

DAMAGE-SHIPMENT/INSTALLATION

- If the unit is damaged in shipment, return the unit to the store in which it was bought for repair or replacement.
- If the unit is damaged by the customer, repair or replacement is the responsibility of the customer.
- If the unit is damaged by the installer (if other than the customer), repair or replacement must be made by arrangement between customer and installer.

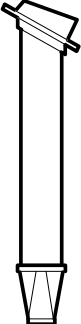



GENERAL INFORMATION

HOOD EXHAUST

NOTE: Read these next two pages only if you plan to vent your exhaust to the outside. If you plan to recirculate the air back into the room, proceed to page 5.

OUTSIDE TOP EXHAUST (Example Only)

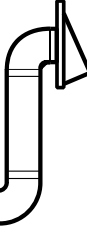



The following chart describes an example of one possible ductwork installation.

	DUCT PIECES		EQUIVALENT LENGTH	X	NUMBER USED	=	EQUIVALENT LENGTH
		Roof Cap	24 ft (731.52 cm)	X	(1)	=	24 ft (731.52 cm)
	12 ft (365.76 cm) Straight Duct 6" (152.4 mm) Round	12 ft (365.76 cm)	X	(1)	=	12 ft (365.76 cm)	
	Rectangular-to-Round Transition Adaptor*	5 ft (152.4 cm)	X	(1)	=	5 ft (152.4 cm)	
Equivalent lengths of duct pieces are based on actual tests and reflect requirement for good venting performance with any vent hood.			Total Length			41 ft (1249.68 cm)	

IMPORTANT: If a rectangular-to-round transition adaptor is used, the bottom corners of the damper will have to be cut to fit, using the tin snips, in order to allow free movement of the damper.

OUTSIDE BACK EXHAUST (Example Only)

The following chart describes an example of one possible ductwork installation.

	DUCT PIECES		EQUIVALENT LENGTH	X	NUMBER USED	=	EQUIVALENT LENGTH
		Wall Cap	40 ft (1219.2 cm)	X	(1)	=	40 ft (1219.2 cm)
	3 ft (91.44 cm) Straight Duct 3 1/4" x 10" (82.55 mm x 254 mm) Rectangular	3 ft (91.44 cm)	X	(1)	=	3 ft (91.44 cm)	
	90° Elbow	10 ft (304.8 cm)	X	(2)	=	20 ft (609.6 cm)	
Equivalent lengths of duct pieces are based on actual tests and reflect requirement for good venting performance with any vent hood.			Total Length			63 ft (1920.24 cm)	

NOTE:

- For back exhaust, care should be taken to align exhaust with space between studs, or wall should be prepared at the time it is constructed by leaving enough space between the wall studs to accommodate exhaust.
- If you need to install ducts, note that the total duct length of 3 1/4" x 10" (82.55 mm x 254 mm) rectangular or 6" (152.4 mm) diameter round duct should not exceed 140 equivalent feet (4267.2 cm).
- Outside ventilation requires a HOOD EXHAUST DUCT. Read the following carefully:

It is important that venting be installed using the most direct route and with as few elbows as possible. This ensures clear venting of exhaust and helps prevent blockages. Also, make sure dampers swing freely and nothing is blocking the ducts.

EXHAUST CONNECTION:

The hood exhaust has been designed to mate with a standard 3 1/4" x 10" (82.55 mm x 254 mm) rectangular duct.





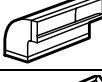
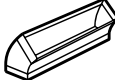


If a round duct is required, a rectangular-to-round transitioning adaptor must be used. Do not use less than a 6" (152.4 mm) diameter duct.

MAXIMUM DUCT LENGTH:

For satisfactory air movement, the total duct length of 3 1/4" x 10" (82.55 mm x 254 mm) rectangular or 6" (152.4 mm) diameter round duct should not exceed 140 equivalent feet (4267.2 cm).

ELBOWS, TRANSITIONS, WALL AND ROOF CAPS, ETC.

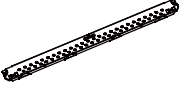

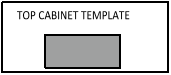
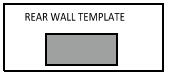

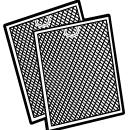
Elbows, transitions, and caps, etc. present additional resistance to airflow and are equivalent to a section of straight duct, which is longer than their actual physical size. When calculating the total duct length, add the equivalent lengths of all transitions and adaptors plus the length of all straight duct sections. The chart below shows you how to calculate total equivalent ductwork length using the approximate feet of equivalent length of some typical ducts.

DUCT PIECES		EQUIVALENT LENGTH	X	NUMBER USED	=	EQUIVALENT LENGTH
	Rectangular-to-Round Transition Adaptor*	5 ft (152.4 cm)	X	()	=	ft (cm)
	Wall Cap	40 ft (1219.2 cm)	X	()	=	ft (cm)
	90° Elbow	10 ft (304.8 cm)	X	()	=	ft (cm)
	45° Elbow	5 ft (152.4 cm)	X	()	=	ft (cm)
	90° Elbow	25 ft (762 cm)	X	()	=	ft (cm)
	45° Elbow	5 ft (152.4 cm)	X	()	=	ft (cm)
	Roof Cap	24 ft (731.52 cm)	X	()	=	ft (cm)
	Straight Duct 6" Round or 3 1/4" x 10" Rectangular	1 ft (30.48 cm)	X	()	=	ft (cm)
					Total Ductwork	= ft (cm)




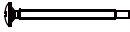



IMPORTANT: If a rectangular-to-round transition adaptor is used, the bottom corners of the damper will have to be cut to fit, using the tin snips, in order to allow free movement of the damper. Equivalent lengths of duct pieces are based on actual tests and reflect requirements for good venting performance with any vent hood.

GENERAL INFORMATION

PARTS INCLUDED

PART		QUANTITY
	Mounting Plate	1
	Exhaust Adaptor	1
	Top Cabinet Template	1
	Rear Wall Template	1
	Installation Manual	1
	Separately Packed Grease Filters	2



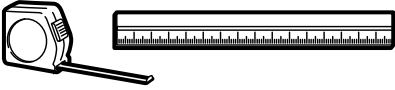
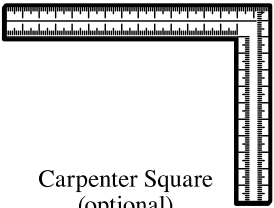
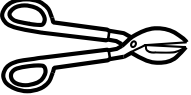

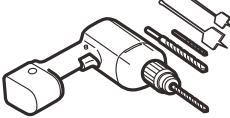




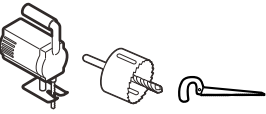

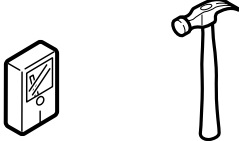
INSTALLATION ACCESSORIES

PART		QUANTITY
	Wood Screw 1/4" x 2"	2
	Wing Nut	2
	Machine Screw 3/16" x 3"	2
	Self-aligning Machine Screw 1/4"-20 x 3"	2
	Nylon Grommet (for metal cabinets)	1
	Washer	2
	Sheet Metal Screw	2

You will find the installation accessories contained in a packet with the unit. Check to make sure you have all these parts.

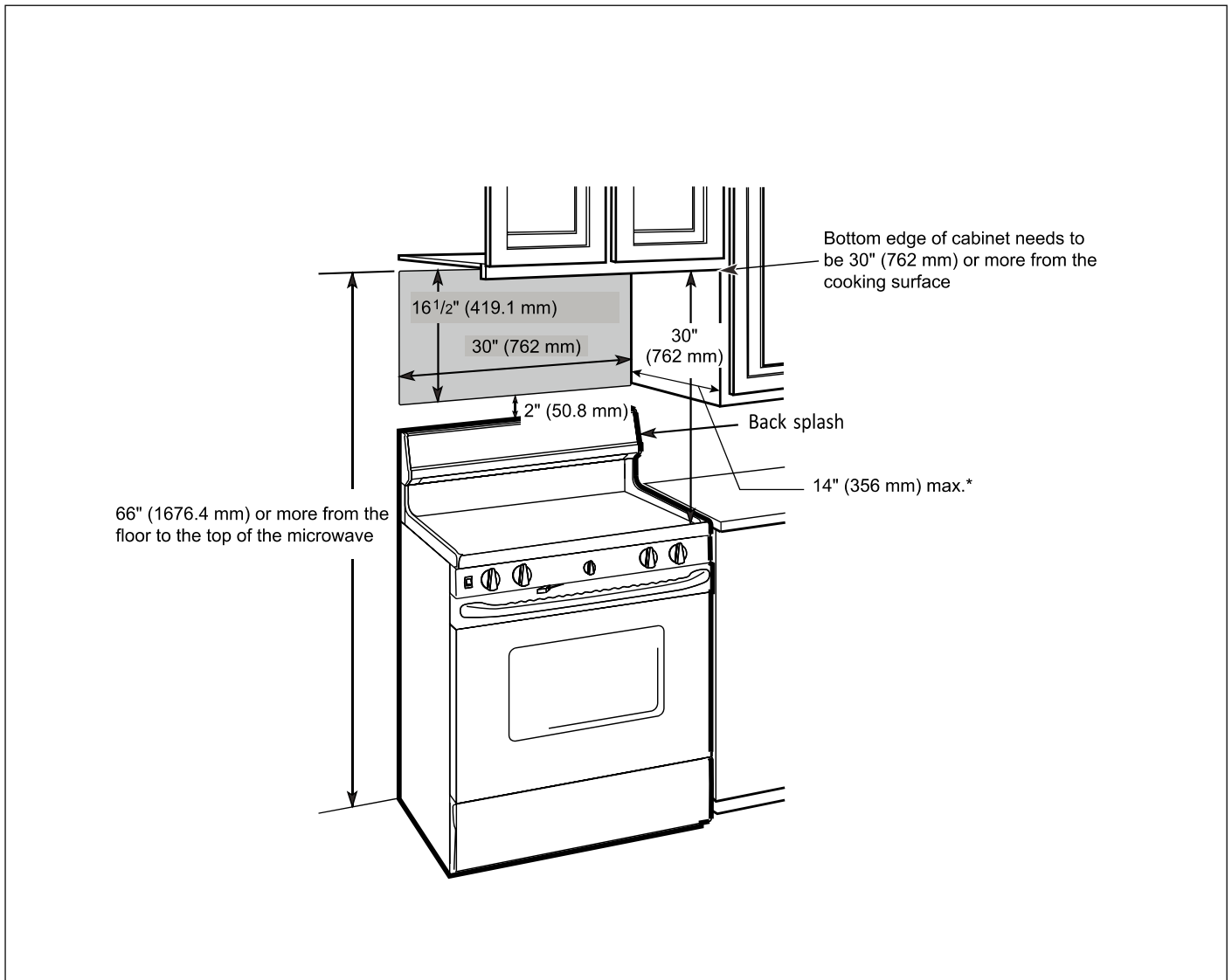
NOTE: Some extra parts are included.

TOOLS NEEDED

			
#1 and #2 Phillips screwdrivers	Pencil	Ruler or tape measure straight edge	Carpenter Square (optional)
			
Tin snips (to cut damper, if needed)	Scissors (to cut template, if needed)	Electric drill with 3/16", 1/2", and 5/8" bits	Filler blocks or scrap wood pieces (for top cabinet spacing in recessed bottom cabinet installations, if needed)
			
Gloves	Safety goggles	Duct and masking tape	
			
Saw (saber, hole, or keyhole)	Level		Edge-to-edge stud finder or hammer (optional)

GENERAL INFORMATION

MOUNTING SPACE



NOTE:

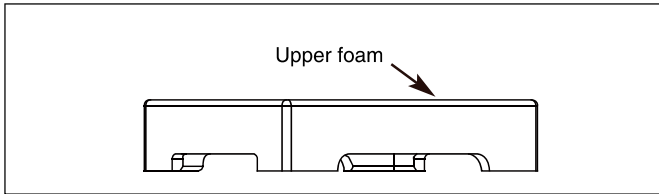
- The space between the cabinets must be 30" (762 mm) wide and free of obstructions.
- If the space between the cabinets is greater than 30" (762 mm), you will need filler material to fill the gap between the microwave oven and the cabinets.
- This microwave oven is for installation over ranges up to 36" (914.4 mm) wide.
- If you are going to vent your microwave oven to the outside, see "HOOD EXHAUST" (page 2) for exhaust duct preparation.
- When installing the microwave oven beneath smooth, flat cabinets, be careful to follow the instruction for power cord clearance. Make sure that you leave enough space for the power cord clearance.
- The maximum depth of the cabinets or wall on either side of the Microwave Oven is 14" (356 mm). This maximum depth includes the total cabinet depth, including both the cabinet box and the cabinet door. If the total depth exceeds 14" (356 mm), it may interfere with the door opening or handle accessibility.

STEP-BY-STEP INSTALLATION GUIDE

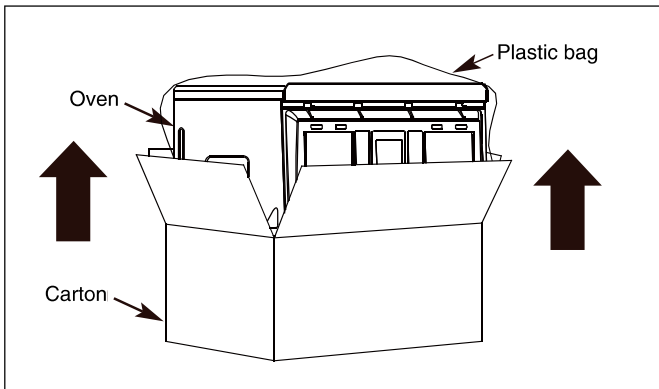
1. PLACEMENT OF THE MOUNTING PLATE

A. REMOVING THE MICROWAVE OVEN FROM THE CARTON/REMOVING THE MOUNTING PLATE

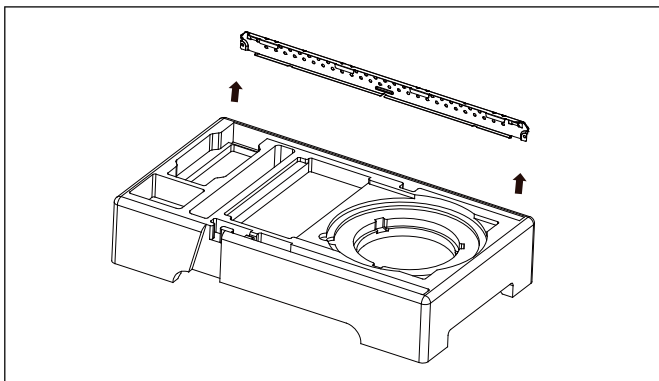
- 1 Open the carton and remove the upper foam from the box, but remember to keep the accessories.



- 2 Pull the oven out of the carton and remove the plastic bag carefully.

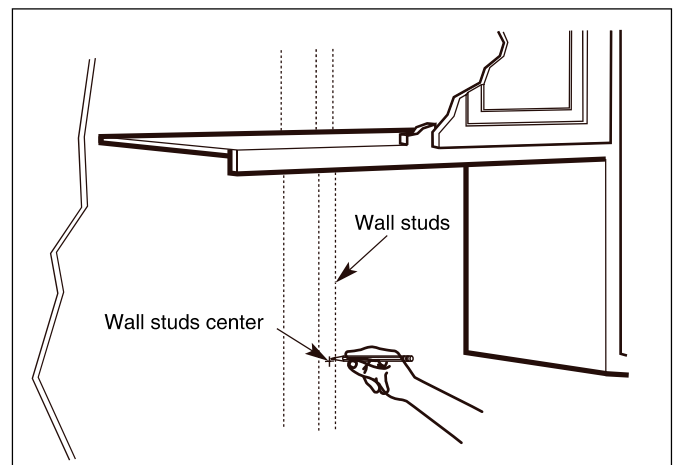


- 3 Take the mounting bracket out from the upper foam.



B. FIND THE WALL STUDS

- 1 Find the wall studs, using one of the following methods:
 - A Wall stud finder, a magnetic device which locates nailsOR
 - B Use a hammer to tap lightly across the mounting surface to find a solid sound. This will indicate a wall stud location.
- 2 After locating the stud(s), find the center by probing the wall with a small nail to find the edges of the wall stud. Then, place a mark halfway between the edges. The center of any adjacent wall studs should be 16" or 24" (406.4 mm or 609.6 mm) from this mark.
- 3 Draw a line down the center of the wall studs.
The microwave must be connected to at least one wall stud.

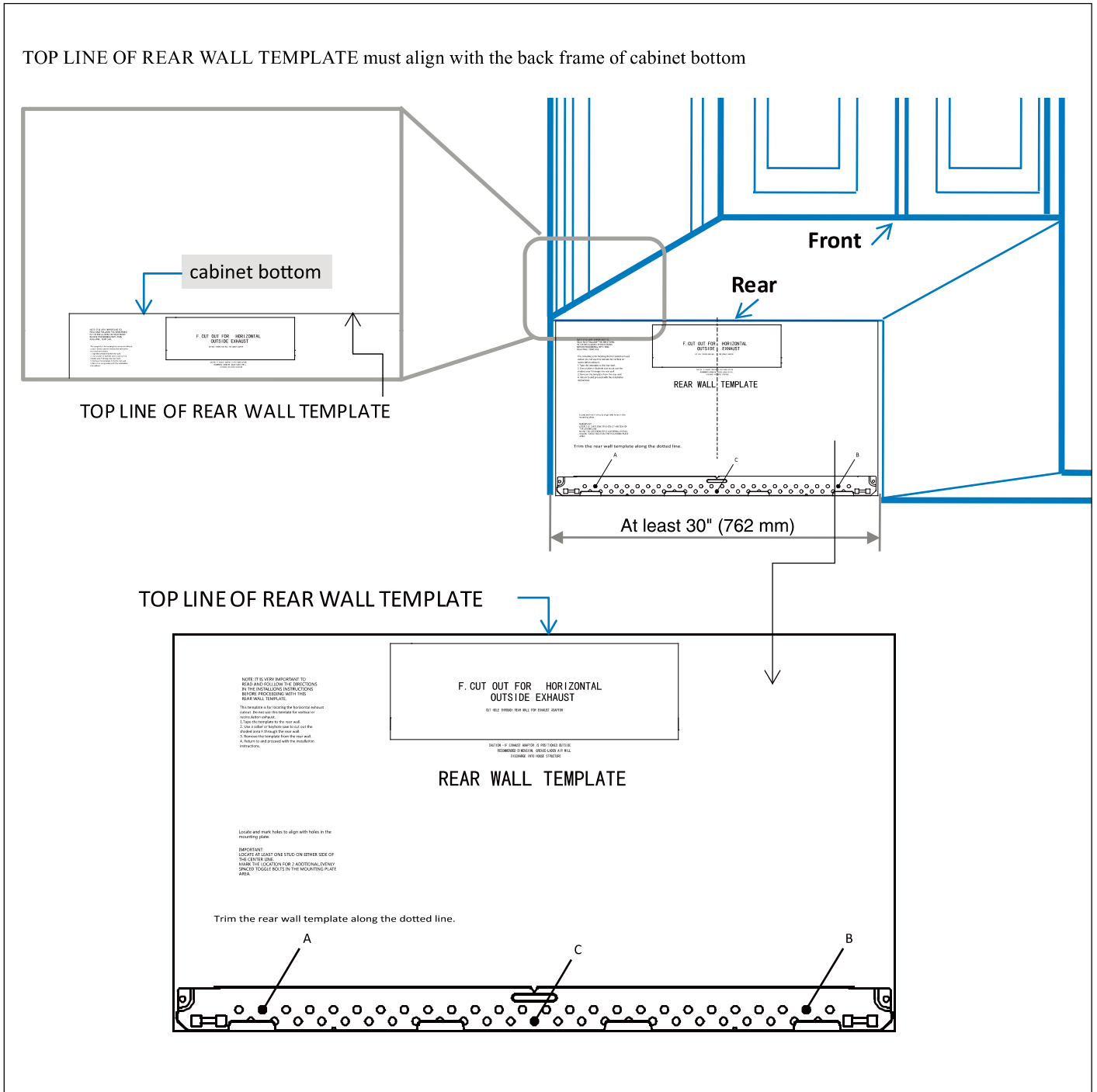


STEP-BY-STEP INSTALLATION GUIDE

C. DETERMINE TOP LINE OF REAR WALL TEMPLATE LOCATION UNDER YOUR CABINET

THERE ARE THREE TYPES OF CABINET BOTTOMS:

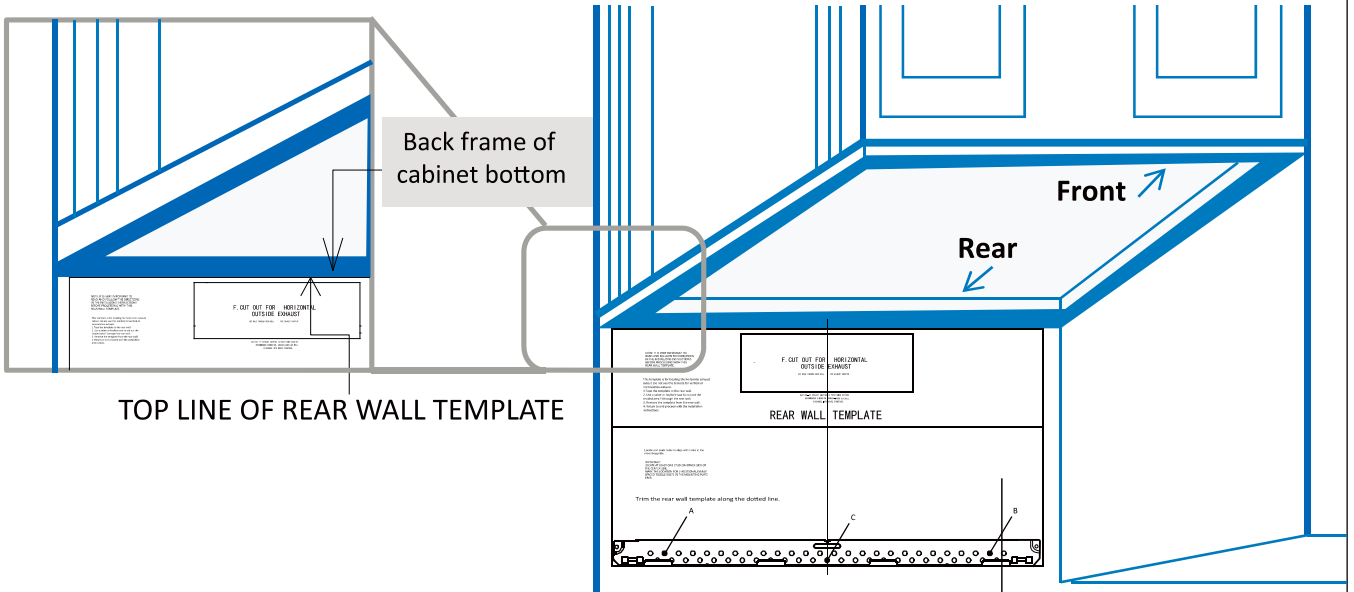
1. BENEATH FLAT BOTTOM CABINET



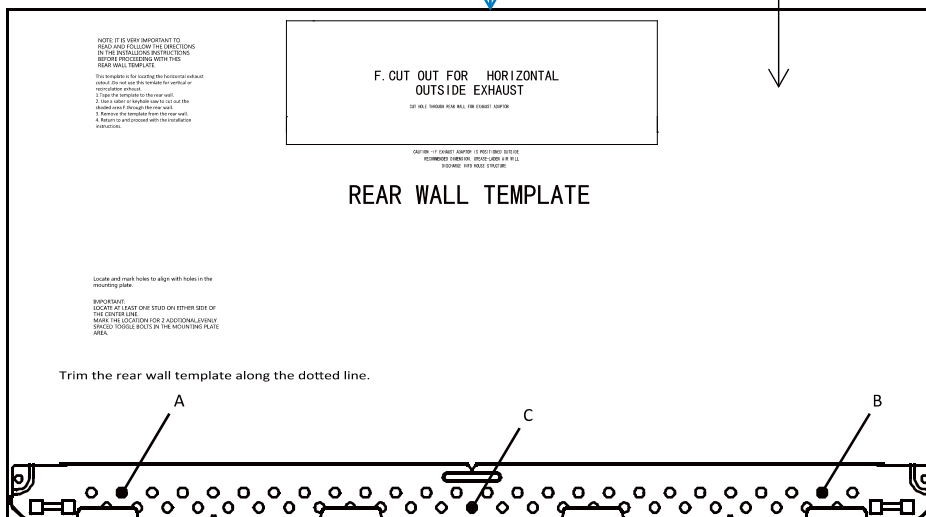
STEP-BY-STEP INSTALLATION GUIDE

2. BENEATH FRAMED RECESSED CABINET

TOP LINE OF REAR WALL TEMPLATE must align with the back frame of cabinet bottom

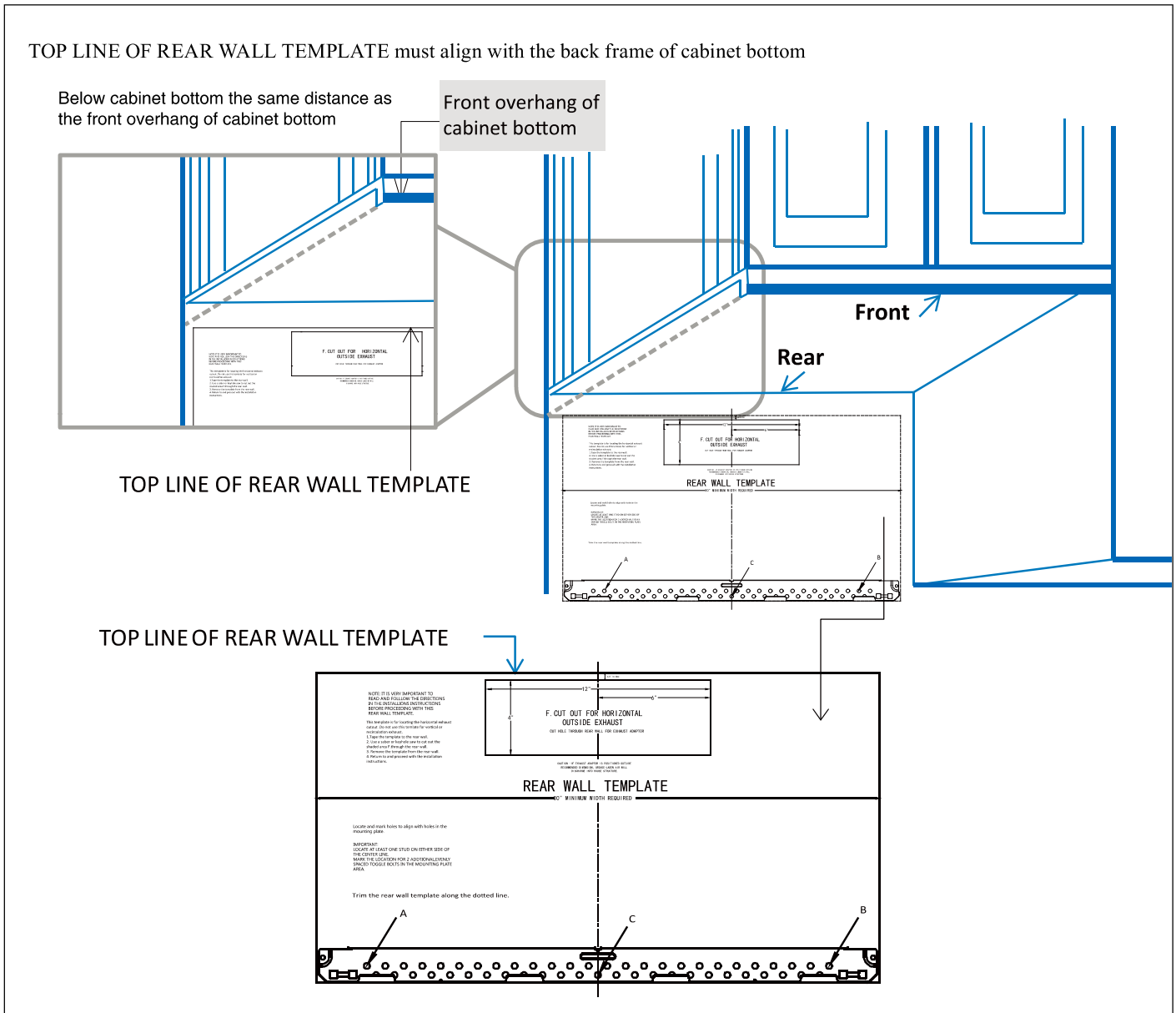


TOP LINE OF REAR WALL TEMPLATE



STEP-BY-STEP INSTALLATION GUIDE

3. BENEATH FRAMED RECESSED BOTTOM CABINET WITH FRONT OVERHANG



THE MICROWAVE MUST BE LEVEL

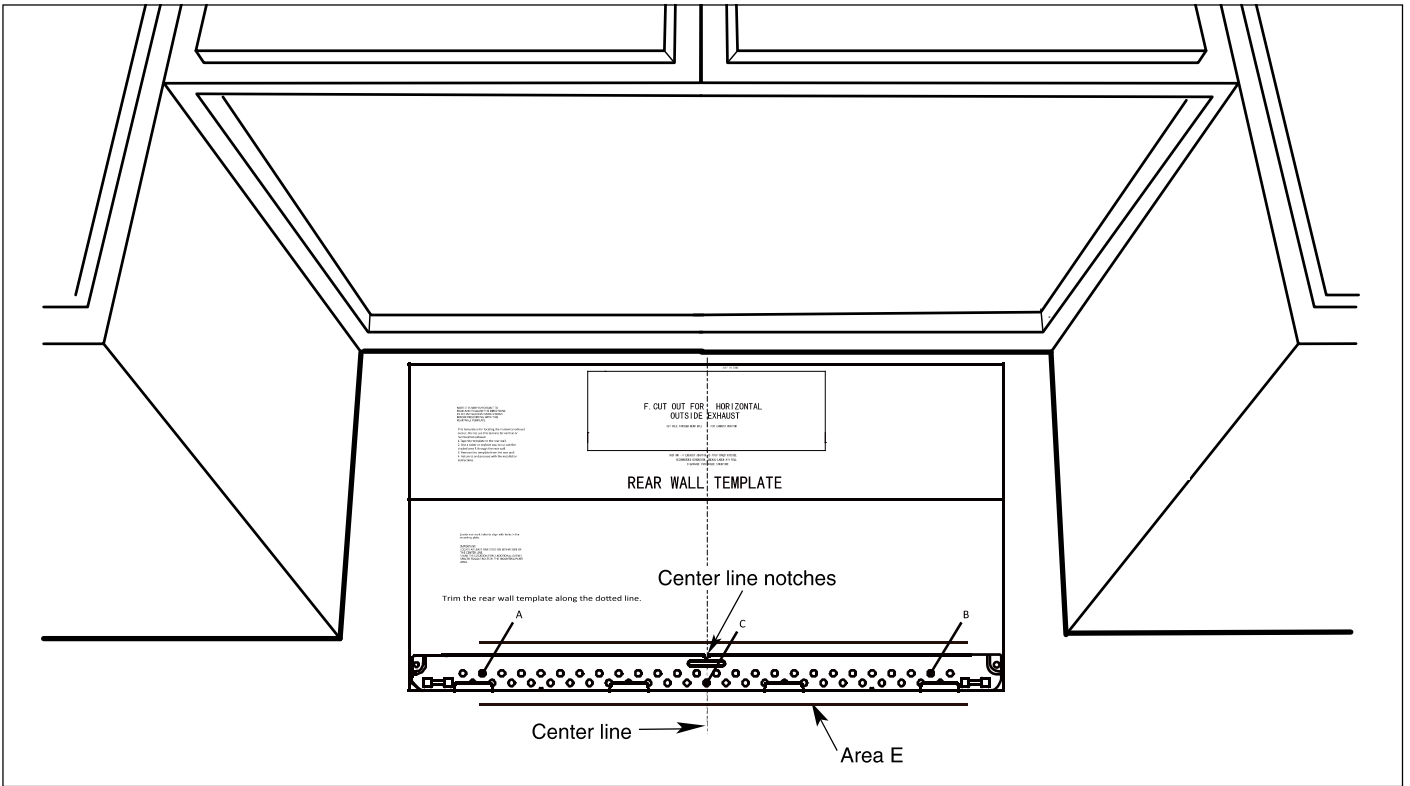
Use a level to make sure the cabinet bottom is level. If the cabinets have a front overhang only, with no back or side frame, top line of rear wall template must align with below cabinet bottom, the same distance as the front overhang depth. This will keep the microwave level.

- 1 Measure the inside depth of the front overhang.
- 2 Draw a horizontal line on the back wall an equal distance below the cabinet bottom as the inside depth of the front overhang.
- 3 For this type of installation, with front overhang only, align top line of rear wall template with this horizontal line, not touching the cabinet bottom, as described in step D.

NOTE: Your cabinets may have decorative trim that interferes with the microwave installation. Remove the decorative trim to install the microwave properly and to make it level.

STEP-BY-STEP INSTALLATION GUIDE

D. ALIGNING TOP LINE OF REAR WALL TEMPLATE



⚠ CAUTION Wear gloves to avoid cutting fingers on sharp edges.

- 1 Using a tape measure, draw a vertical line on the wall at the center of the 30" (762 mm) wide space.
- 2 Tape the rear wall template on the cabinet wall. Align the center markers on the rear wall template to the centerline on the wall, making sure it is level and that the top line of the rear wall template is butted up against the bottom edge of the upper cabinet.

NOTE: According to the shape of the cabinet, the location of the rear wall template is compliant with the content C "Determine Top Line of Rear Wall Template Location Under Your Cabinet".

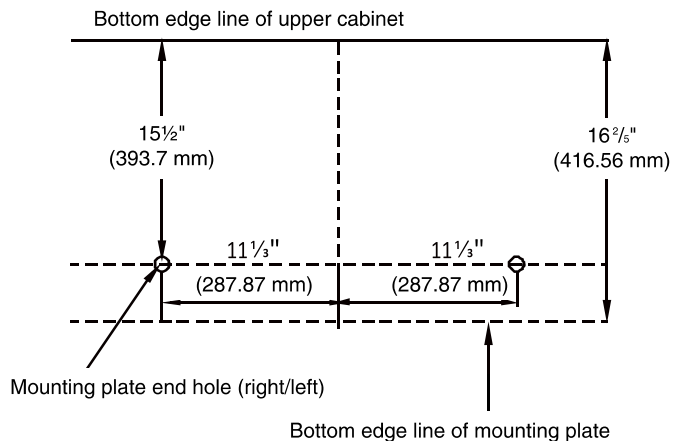
- 3 While taping the rear wall template on the wall, draw circles at wall holes A, B, and C (see illustration above/actual plate marked with arrows). **THREE HOLES MUST BE USED FOR MOUNTING.** If there are 2-wall studs on the right and left side, based on the center line, four holes must be used for mounting.
- 4 Remove the rear wall template and check the marking based on the actual mounting plate (centerline, holes A, B, and C).
- 5 Drill holes on the circle marks (A, B, and C). Drill a $\frac{3}{16}$ " (4.76 mm) hole at C for wood screw and two $\frac{5}{8}$ " (15.88 mm) holes at A and B for toggle bolts.

NOTE: DO NOT MOUNT THE PLATE AT THIS TIME.

- 6 If the rear wall template is damaged or unusable, measure and mark the wall with the dimensions described in step E.

E. MARK REAR WALL OF THE CABINET WITHOUT REAR WALL TEMPLATE

- 1 The bottom edge line of the mounting plate must be 16" (406.4 mm) from the bottom edge line of the upper cabinet and must be level.
- 2 Mounting plate end holes must be 15½" (393.7 mm) from the bottom edge line of the upper cabinet and must be on an equal line with each other. They must each be 11⅓" (287.87 mm) from the center line.



STEP-BY-STEP INSTALLATION GUIDE

2. INSTALLATION TYPES (Choose A, B, or C)

This microwave oven is designed for adaptation to the following three types of ventilation:

A: Outside Top Exhaust (Vertical Duct)

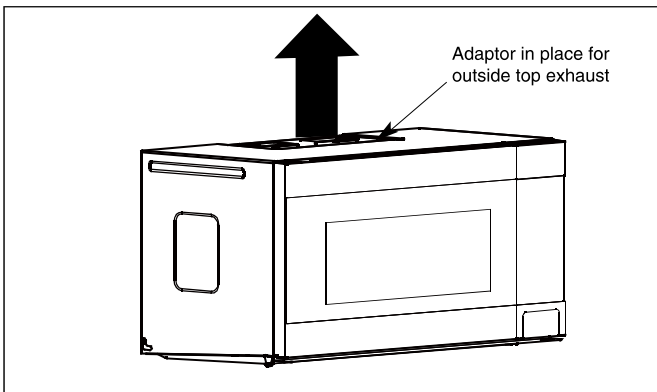
B: Outside Back Exhaust (Horizontal Duct)

C: Recirculating (Non-Vented Ductless)

NOTE: This microwave is shipped assembled for Recirculating.

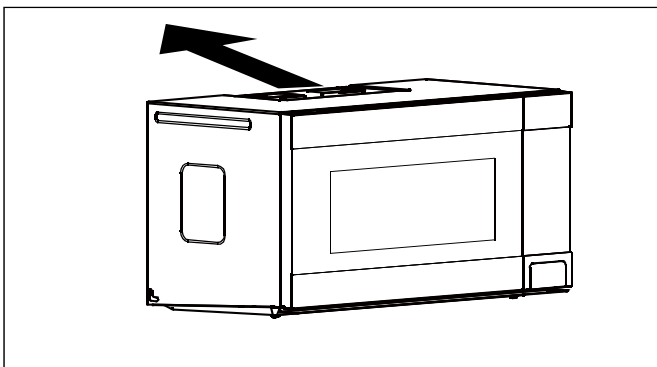
A. OUTSIDE TOP EXHAUST (VERTICAL DUCT)

See page 10.



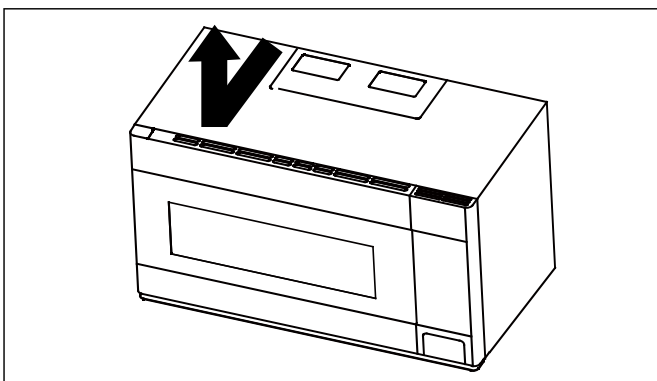
B. OUTSIDE BACK EXHAUST (HORIZONTAL DUCT)

See page 13.



C. RECIRCULATING (NON-VENTED DUCTLESS)

See page 17.



A. OUTSIDE TOP EXHAUST (VERTICAL DUCT) DEFAULT

INSTALLATION OVERVIEW

A1. ATTACH THE MOUNTING PLATE TO THE WALL

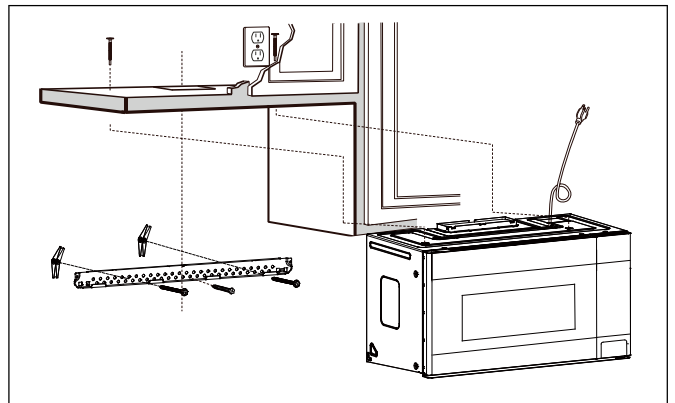
A2. USE TOP CABINET TEMPLATE FOR PREPARATION OF TOP CABINET

A3. CHECK FOR PROPER DAMPER OPERATION

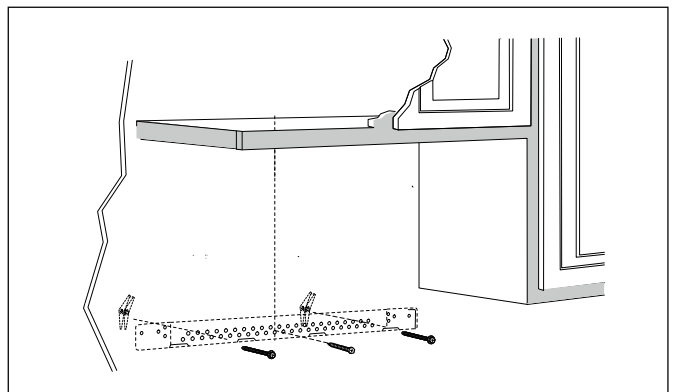
A4. MOUNT THE MICROWAVE OVEN

A5. ADJUST THE EXHAUST ADAPTOR

A6. CONNECTING DUCTWORK



A1. ATTACH MOUNTING PLATE TO THE WALL



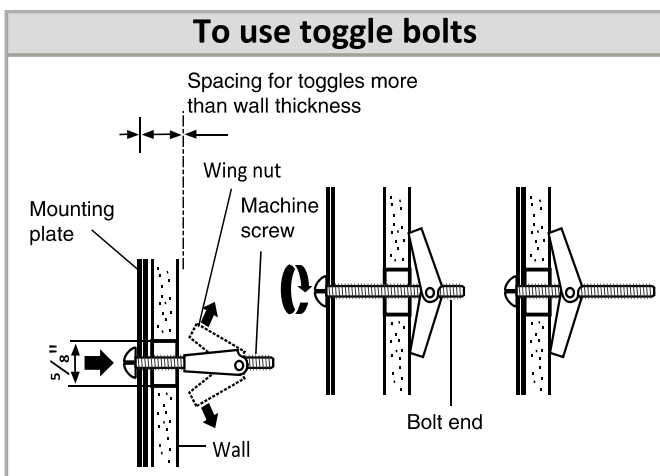
STEP-BY-STEP INSTALLATION GUIDE

Attach the mounting plate to the wall using the wing nuts and machine screws ($\frac{3}{16}$ " x 3"). At least one wood screw must be used to attach the mounting plate to a wall stud.

- 1 Insert the machine screws ($\frac{3}{16}$ " x 3") into the mounting plate through the holes designed to go into drywall and attach the toggle wings ($\frac{3}{4}$ ") onto each machine screw ($\frac{3}{16}$ " x 3").
- 2 Place the mounting plate against the wall and insert the toggle wings into the holes in the wall to mount the plate.

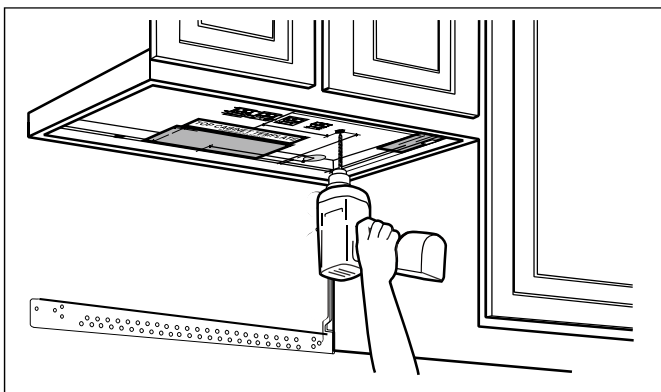
⚠ CAUTION Be careful to avoid pinching fingers between the back of the mounting plate and the wall.

- 3 Tighten all bolts. Pull the mounting plate away from the wall to help tighten the bolts.



A2. USE TOP CABINET TEMPLATE FOR PREPARATION OF TOP CABINET

Drill holes for the top support screws, a hole large enough for the power cord to fit through, and a cutout large enough for the exhaust adaptor.

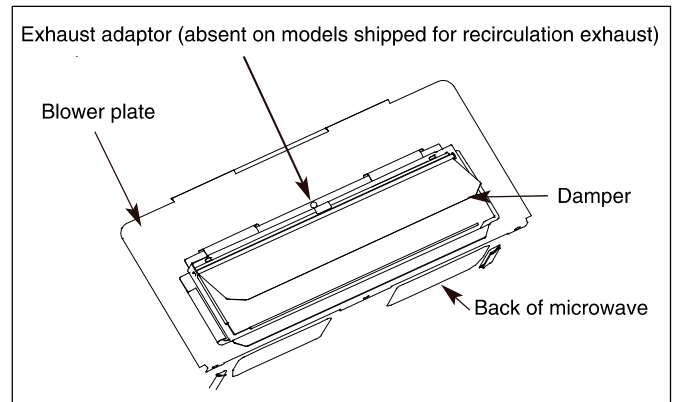


- 1 Read the instructions on the TOP CABINET TEMPLATE.
- 2 Tape it underneath the top cabinet bottom.
- 3 Drill the holes, following the instructions on the TOP CABINET TEMPLATE.

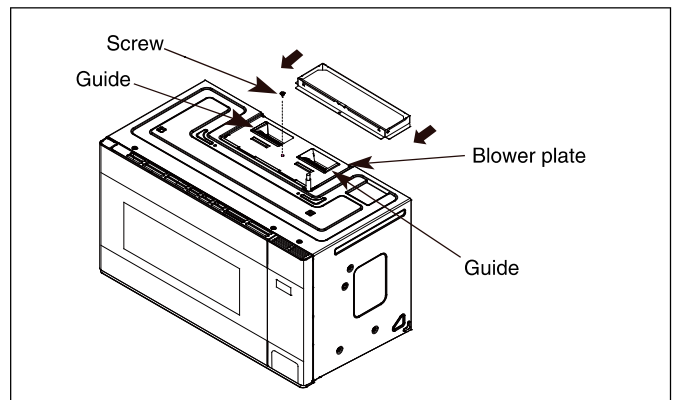
⚠ CAUTION Wear safety goggles when drilling holes in the cabinet bottom.

A3. CHECK FOR PROPER DAMPER OPERATION

- 1 Place the microwave in its upright position, with the top of the unit facing up.
- 2 The exhaust adaptor is only used for top exhaust and outside back exhaust. It is absent on models shipped for recirculation exhaust.
- 3 Make sure the tape securing the damper is removed and the damper pivots easily before mounting the microwave.



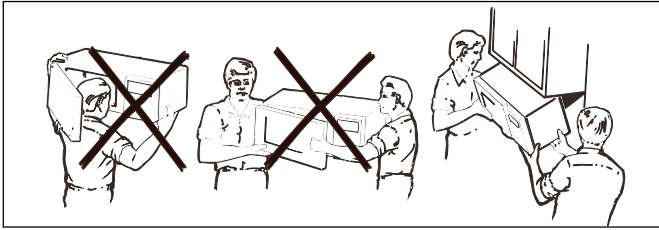
- 4 Attach the exhaust adaptor to the blower plate by sliding it into the guides. Secure the adaptor with the one sheet metal screw provided.



- 5 You will need to make adjustments to ensure proper alignment with your house exhaust duct after the microwave is installed.

STEP-BY-STEP INSTALLATION GUIDE

A4. MOUNT THE MICROWAVE OVEN

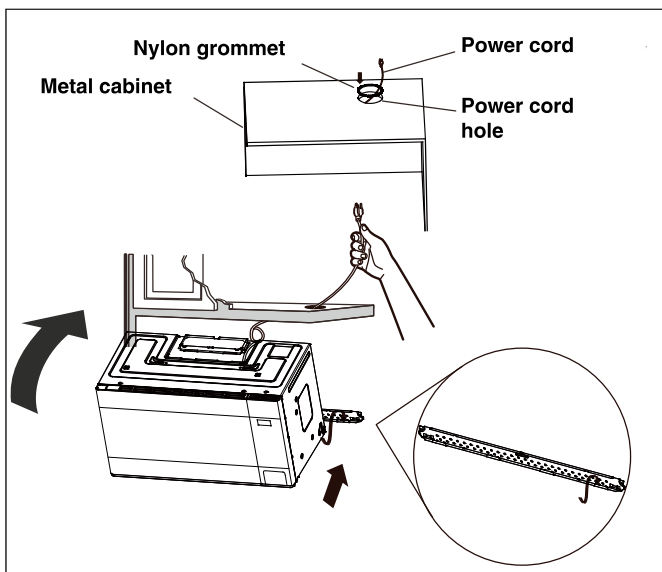


FOR EASIER INSTALLATION AND PERSONAL SAFETY, WE RECOMMEND THAT TWO PEOPLE INSTALL THIS MICROWAVE OVEN.

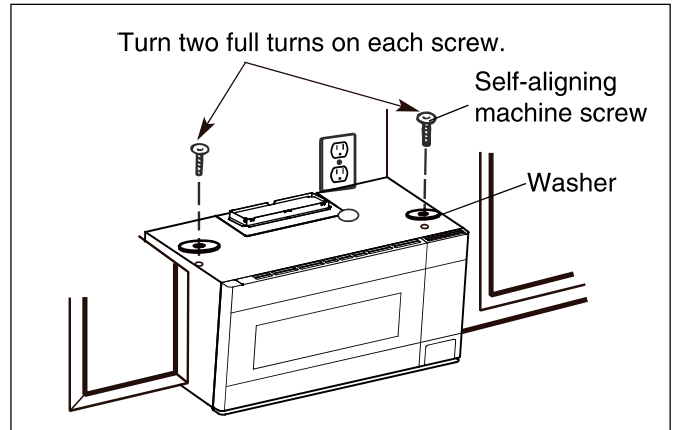
IMPORTANT: Do not grip or use handle during installation. If filler blocks are not used, case damage may occur from over tightening screws.

NOTE: If your cabinet is metal, use the nylon grommet around the power cord hole to prevent cutting of the cord. We recommend using filler blocks if the cabinet front hangs below the cabinet bottom shelf. When mounting the microwave oven, thread power cord through hole in bottom of top cabinet. Keep it tight throughout steps 1-3. Do not pinch cord or lift oven by pulling cord.

- 1 Lift microwave, tilt it forward, and hook slots at back bottom edge onto four lower tabs of mounting plate.
- 2 Rotate front of oven up against cabinet bottom.
- 3 Attach the microwave oven to the top cabinet.

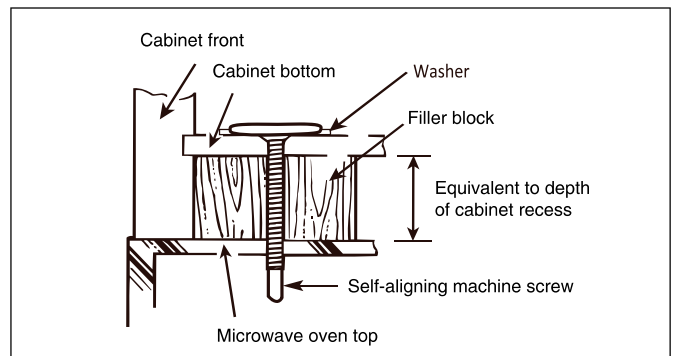


- 4 Insert 2 self-aligning machine screws (1/4"-20 x 3") through outer top cabinet holes. Temporarily secure the oven by turning the screws at least two full turns after the threads have engaged. (They will be completely tightened later.) Be sure to keep power cord tight. Be careful not to pinch the cord, especially when mounting flush to the bottom of cabinet.

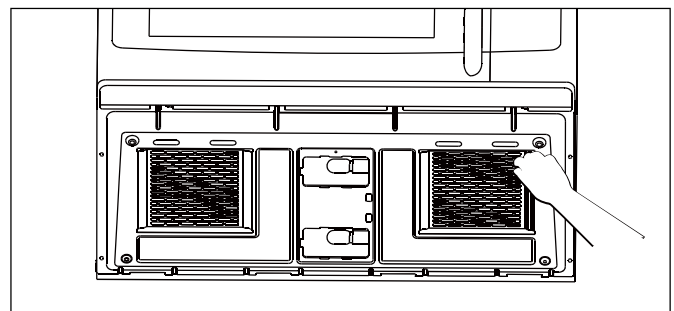


The filler block is only used for recessed cabinet and front overhang cabinet (see cabinet types on pages 7 and 8). You should place the filler block to the cabinet bottom before installing the oven.

- 5 Tighten the outer two screws to the top of the microwave oven. While tightening screws, hold the microwave oven in place against the wall and the top cabinet.



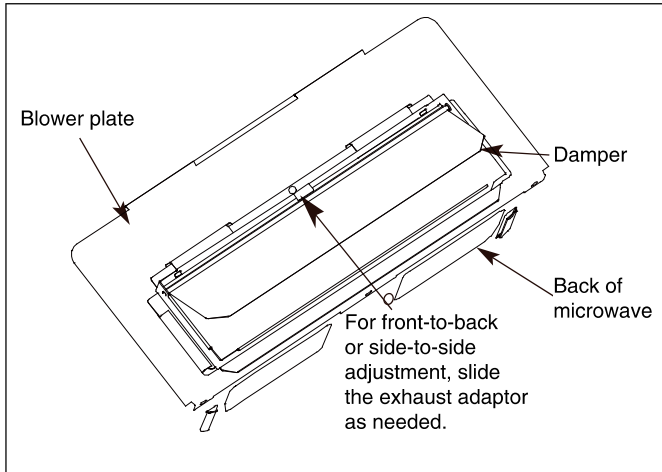
- 6 Install grease filters. See the Operation Manual packed with the microwave.



STEP-BY-STEP INSTALLATION GUIDE

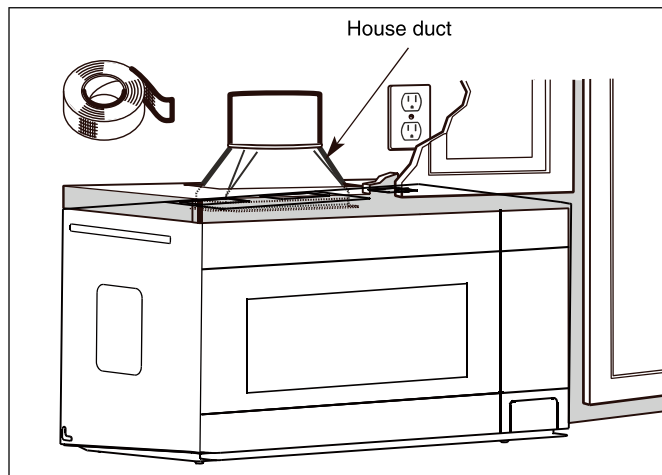
A5. ADJUST THE EXHAUST ADAPTOR

Open the top cabinet and adjust the exhaust adaptor to connect to the house duct.



A6. CONNECTING DUCTWORK

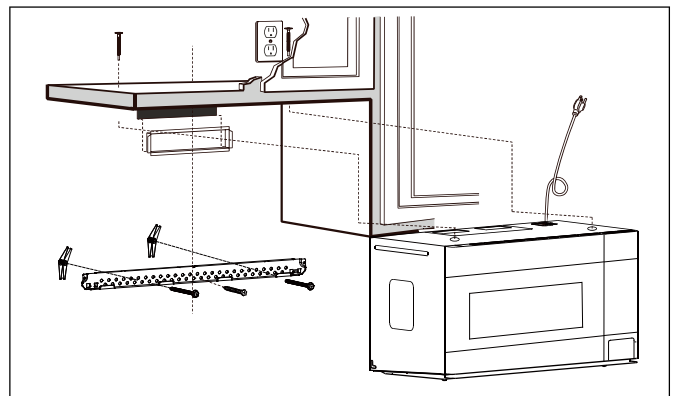
- 1 Extend the house duct down to connect to the exhaust adaptor.
- 2 Seal exhaust duct joints using duct tape.



B. OUTSIDE BACK EXHAUST (HORIZONTAL DUCT)

INSTALLATION OVERVIEW

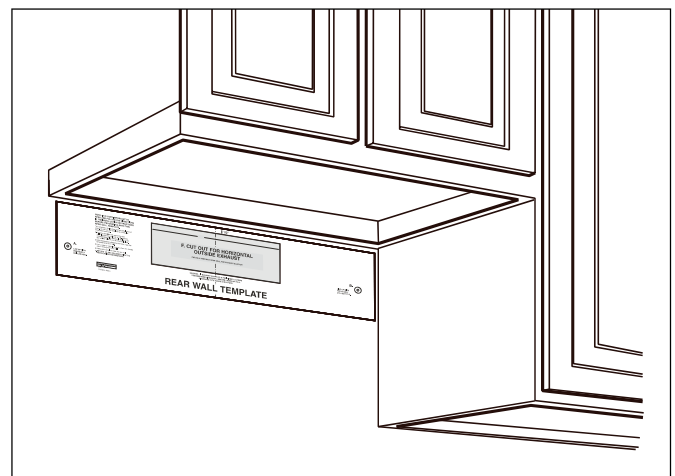
- B1. PREPARING THE REAR WALL TEMPLATE FOR OUTSIDE BACK EXHAUST
- B2. ATTACH THE MOUNTING PLATE TO THE WALL
- B3. USE TOP CABINET TEMPLATE FOR PREPARATION OF TOP CABINET
- B4. ADAPTING MICROWAVE BLOWER FOR OUTSIDE BACK EXHAUST
- B5. MOUNT THE MICROWAVE OVEN



B1. PREPARING THE REAR WALL TEMPLATE FOR OUTSIDE BACK EXHAUST

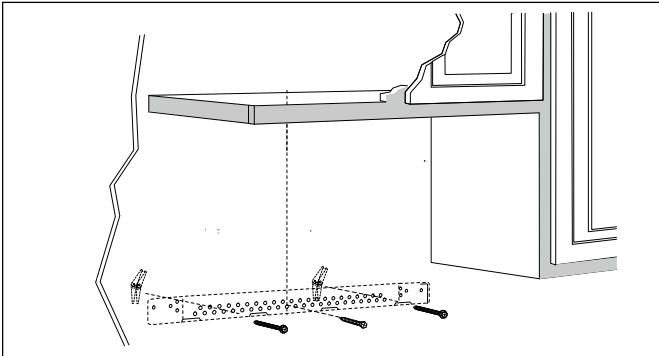
You need to cut an opening (12" x 4" square hole) (304.8 mm x 101.6 mm) in the rear wall template for outside exhaust.

- 1 Read the instructions on the REAR wall template.
- 2 Tape it to the rear wall, lining up with the holes previously drilled for holes A and B in the wall plate.
- 3 Cut the opening, following the instructions of the REAR WALL TEMPLATE.



STEP-BY-STEP INSTALLATION GUIDE

B2. ATTACH MOUNTING PLATE TO THE WALL



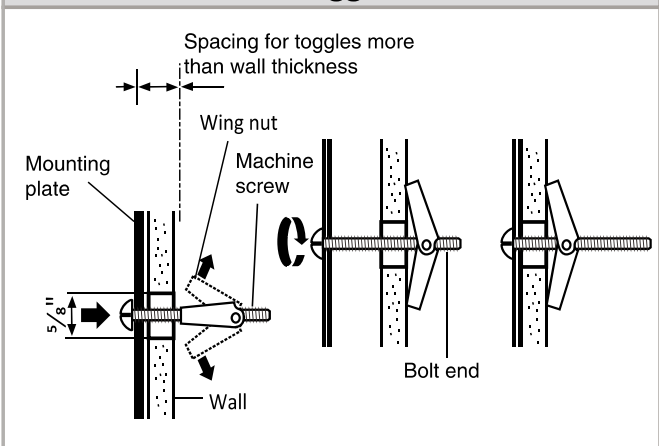
Attach the mounting plate to the wall using the wing nuts and machine screws ($\frac{3}{16}$ " x 3"). At least one wood screw must be used to attach the mounting plate to a wall stud.

- 1 Insert the machine screws ($\frac{3}{16}$ " x 3") into the mounting plate through the holes designed to go into drywall, and attach the toggle wings ($\frac{3}{4}$ ") onto each machine screw ($\frac{3}{16}$ " x 3").
- 2 Place the mounting plate against the wall, and insert the toggle wings into the holes in the wall to mount the plate.

CAUTION Be careful to avoid pinching fingers between the back of the mounting plate and the wall.

- 3 Tighten all bolts. Pull the mounting plate away from the wall to help tighten the bolts.

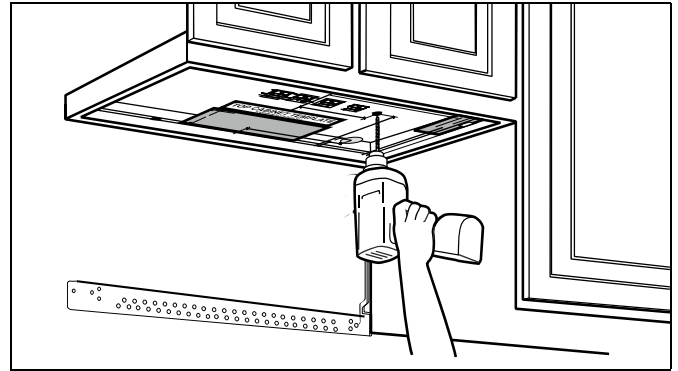
To use toggle bolts



B3. USE TOP CABINET TEMPLATE FOR PREPARATION OF TOP CABINET

Drill holes for the top support screws and a hole large enough for the power cord to fit through.

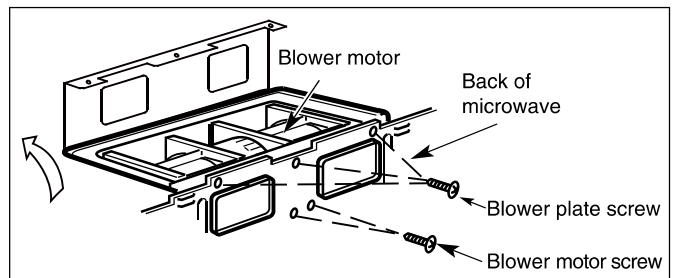
- 1 Read the instructions on the TOP CABINET TEMPLATE.
- 2 Tape it underneath the top cabinet bottom.
- 3 Drill the holes, following the instructions on the TOP CABINET TEMPLATE.



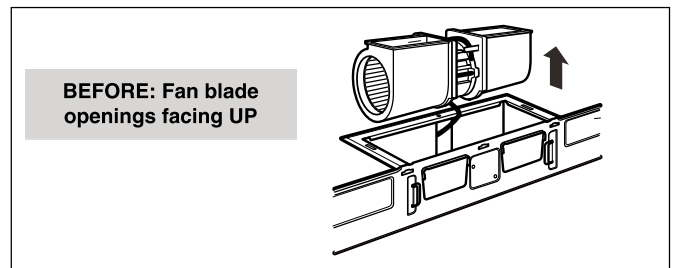
CAUTION Wear safety goggles when drilling holes in the cabinet bottom.

B4. ADAPTING MICROWAVE BLOWER FOR OUTSIDE BACK EXHAUST

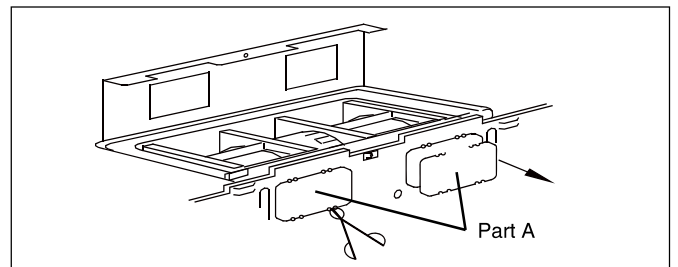
- 1 Remove and save the screw that holds the blower motor to the microwave. Lift up the blower plate.



- 2 Carefully pull out the blower unit. The wires will extend far enough to allow you to adjust the blower unit.

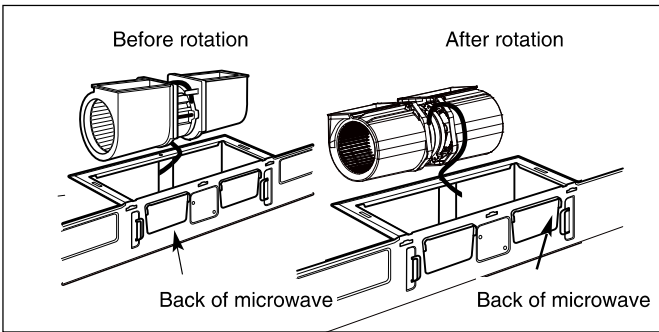


- 3 Remove Part A with tin snips or scissors.

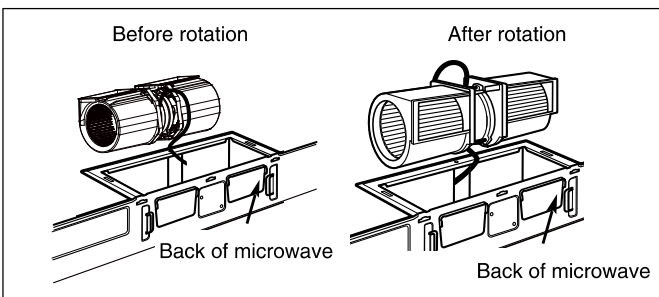


STEP-BY-STEP INSTALLATION GUIDE

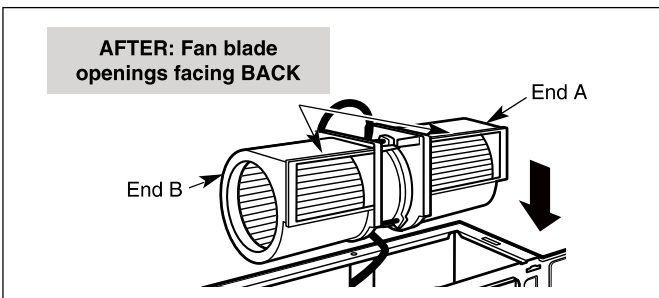
4 Rotate blower unit counterclockwise 180°.



5 Rotate blower unit clockwise 90°.



6 Place the blower unit back into the opening.



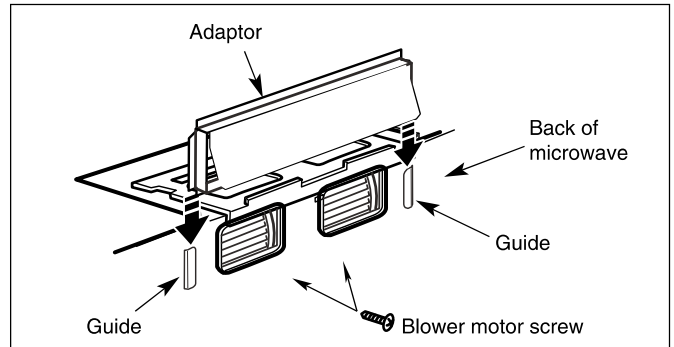
CAUTION Do not pull or stretch the blower unit wiring. Make sure the wires are not pinched.

NOTE: The blower unit exhaust openings should match exhaust openings on the back of the microwave oven.

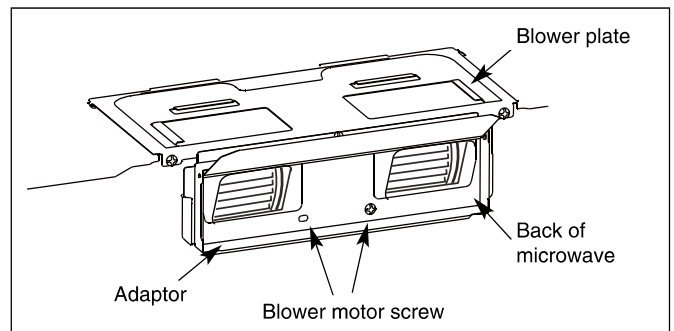
7 Replace the blower plate in the same position.

8 Attach the exhaust adaptor to the rear of the oven by sliding it into the guides at the top center of the back of the oven.

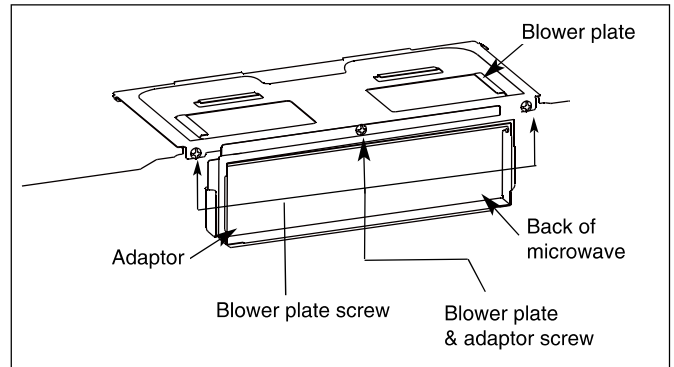
Push in securely until it is in the lower blower motor screw. Take care to ensure that the damper hinge is installed so that it is at the top and that the damper swings freely.



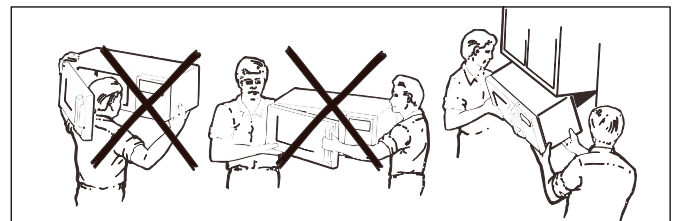
9 Secure the blower motor unit to the microwave with the screw as before.



10 Secure the blower plate to the microwave with the screw. Replace the blower plate in the same position.



B5. MOUNT THE MICROWAVE OVEN



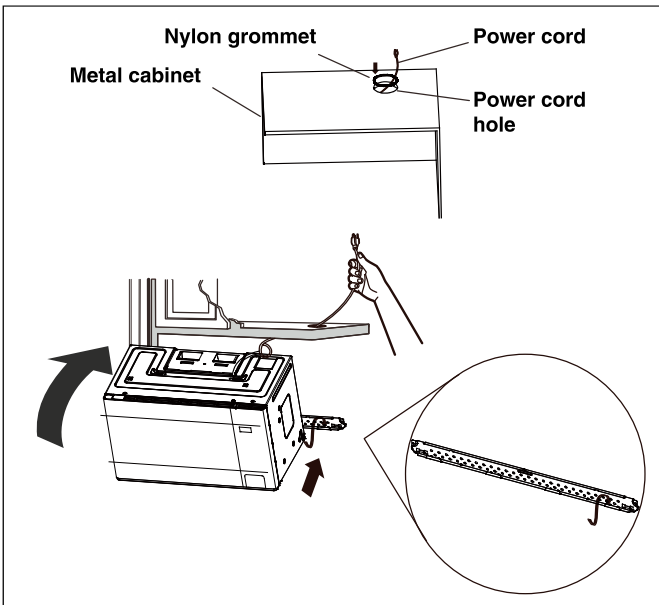
FOR EASIER INSTALLATION AND PERSONAL SAFETY, WE RECOMMEND THAT TWO PEOPLE INSTALL THIS MICROWAVE OVEN.

IMPORTANT: Do not grip or use handle during installation. If filler blocks are not used, case damage may occur from over tightening screws.

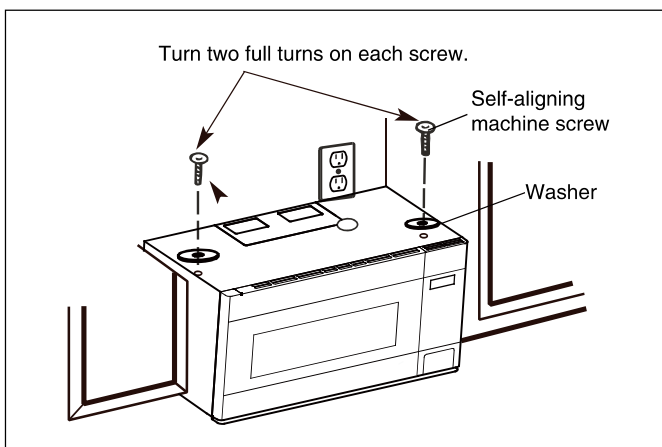
STEP-BY-STEP INSTALLATION GUIDE

NOTE: If your cabinet is metal, use the nylon grommet around the power cord hole to prevent cutting of the cord. We recommend using filler blocks if the cabinet front hangs below the cabinet bottom shelf. When mounting the microwave oven, thread power cord through hole in bottom of top cabinet. Keep it tight throughout steps 1-3. Do not pinch cord or lift oven by pulling cord.

- 1 Lift microwave, tilt it forward, and hook slots at back bottom edge onto four lower tabs of mounting plate.
- 2 Rotate front of oven up against cabinet bottom.
- 3 Attach the microwave oven to the top cabinet.

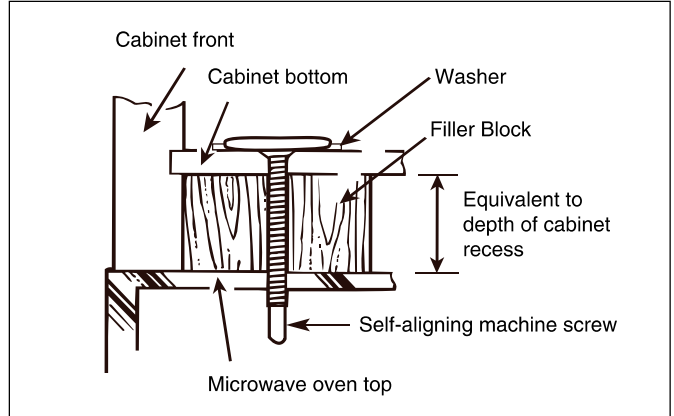


- 4 Insert 2 self-aligning machine screws ($\frac{1}{4}$ "-20 x 3") through outer top cabinet holes. Temporarily secure the oven by turning the screws at least two full turns after the threads have engaged. (They will be completely tightened later.) Be sure to keep power cord tight. Be careful not to pinch the cord, especially when mounting flush to the bottom of cabinet.

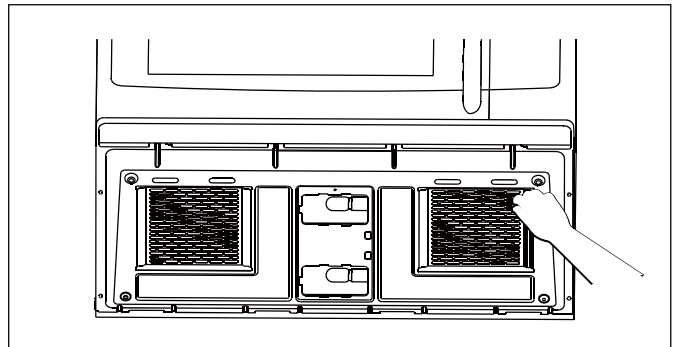


The filler block is only used for recessed cabinet and front overhang cabinet (see cabinet types on pages 7 and 8). You should place the filler block to the cabinet bottom before installing the oven.

- 5 Tighten the outer two screws to the top of the microwave oven. While tightening screws, hold the microwave oven in place against the wall and the top cabinet.



- 6 Install grease filters. See the Operation Manual packed with the microwave.

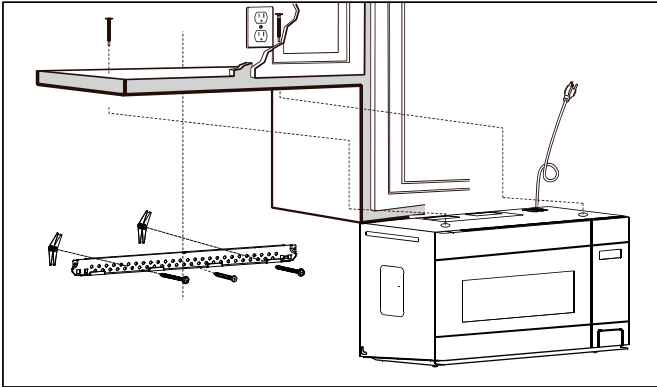


STEP-BY-STEP INSTALLATION GUIDE

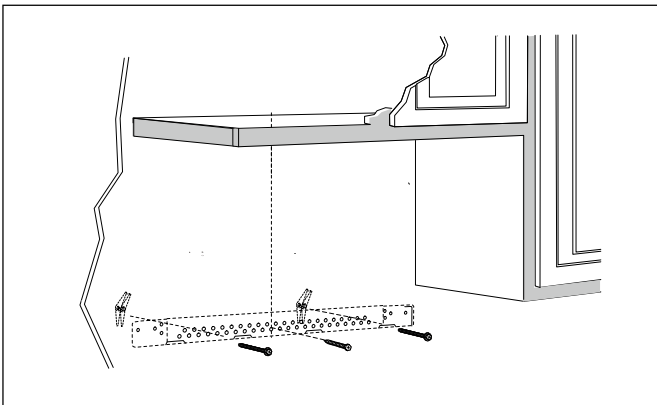
C. RECIRCULATING (NON-VENTED DUCTLESS)

INSTALLATION OVERVIEW

- C1. ATTACH THE MOUNTING PLATE TO THE WALL
- C2. USE TOP CABINET TEMPLATE FOR PREPARATION OF TOP CABINET
- C3. ADAPTING BLOWER FOR RECIRCULATION
- C4. MOUNT THE MICROWAVE OVEN
- C5. CHANGE THE CHARCOAL FILTER



C1. ATTACH THE MOUNTING PLATE TO THE WALL



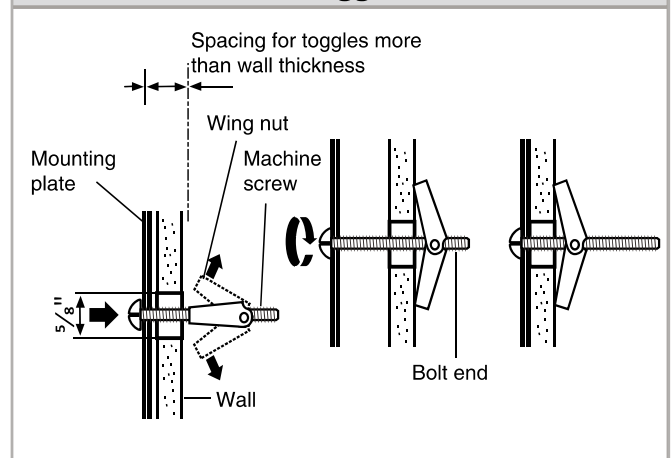
Attach the mounting plate to the wall using the wing nuts and machine screws ($\frac{3}{16}$ " x 3"). At least one wood screw must be used to attach the mounting plate to a wall stud.

- 1 Insert the machine screws ($\frac{3}{16}$ " x 3") into the mounting plate through the holes designed to go into drywall, and attach the toggle wings ($\frac{3}{4}$ ") onto each machine screw ($\frac{3}{16}$ " x 3").
- 2 Place the mounting plate against the wall and insert the toggle wings into the holes in the wall to mount the plate.

CAUTION Be careful to avoid pinching fingers between the back of the mounting plate and the wall.

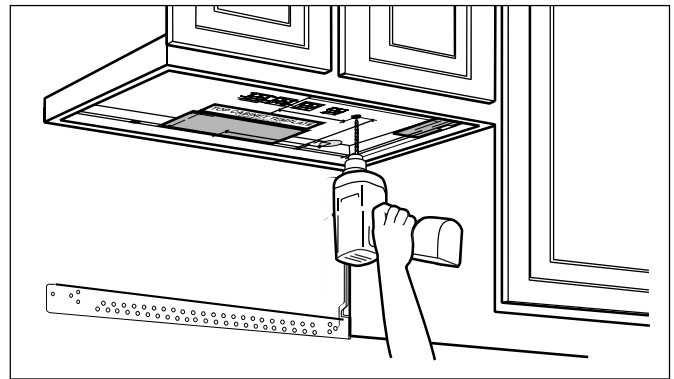
- 3 Tighten all bolts. Pull the mounting plate away from the wall to help tighten the bolts.

To use toggle bolts



C2. USE TOP CABINET TEMPLATE FOR PREPARATION OF TOP CABINET

Drill holes for the top support screws and a hole large enough for the power cord to fit through.

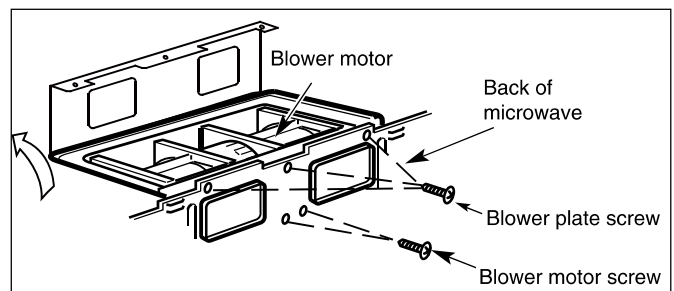


- 1 Read the instructions on the "TOP CABINET TEMPLATE".
- 2 Tape it underneath the top cabinet bottom.
- 3 Drill the holes, following the instructions on the "TOP CABINET TEMPLATE".

CAUTION Wear safety goggles when drilling holes in the cabinet bottom.

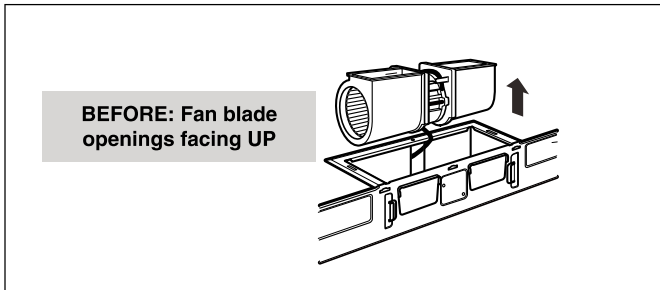
C3. ADAPTING BLOWER FOR RECIRCULATION

- 1 Remove and save the screw that holds the blower motor to the microwave. Lift up the blower plate.

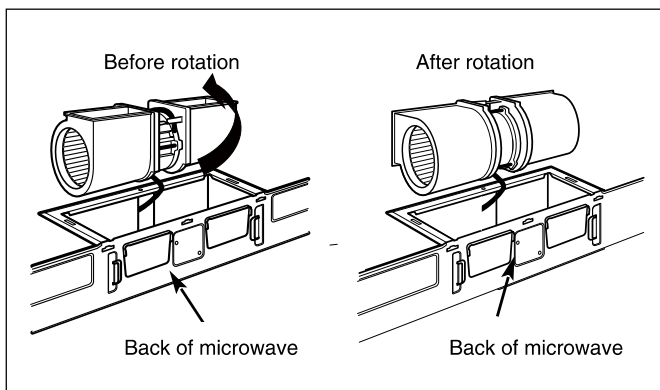


STEP-BY-STEP INSTALLATION GUIDE

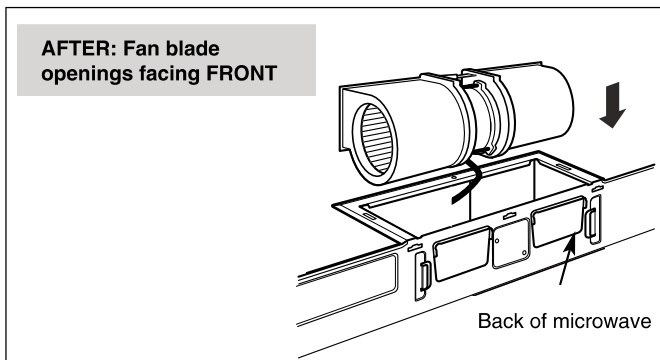
- 2 Carefully pull out the blower unit. The wires will extend far enough to allow you to adjust the blower unit.



- 3 Rotate blower unit 90°.



- 4 Place the blower unit back into the opening.



CAUTION Do not pull or stretch the blower unit wiring. Make sure the wires are not pinched.

NOTE: The blower unit exhaust openings should match exhaust openings on rear of microwave oven.

- 5 Replace the blower plate in the same position.

C4. MOUNT THE MICROWAVE OVEN

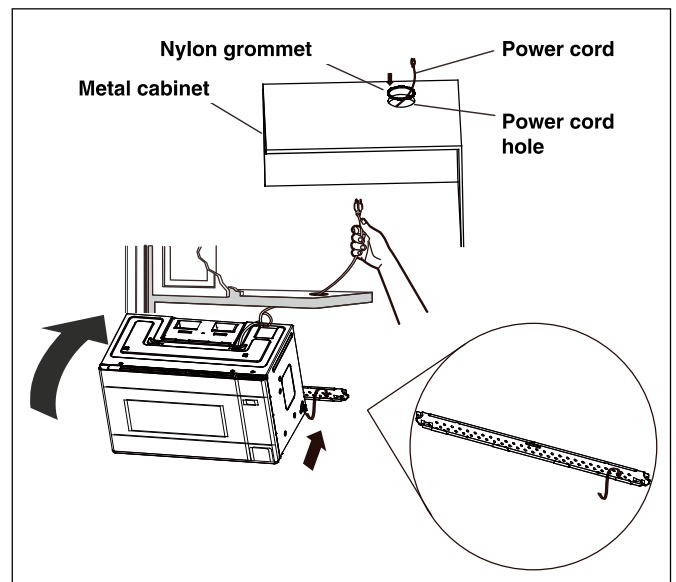


FOR EASIER INSTALLATION AND PERSONAL SAFETY, WE RECOMMEND THAT TWO PEOPLE INSTALL THIS MICROWAVE OVEN.

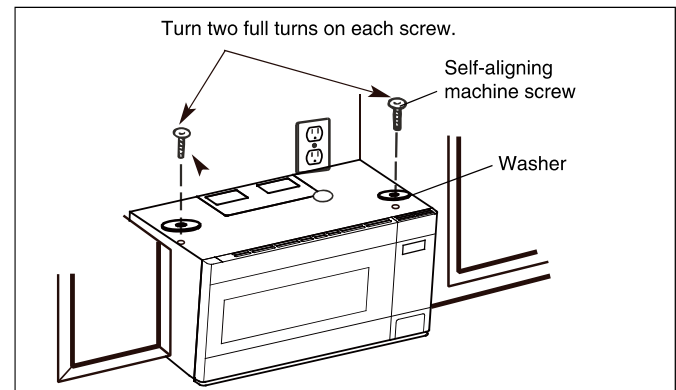
IMPORTANT: Do not grip or use handle during installation. If filler blocks are not used, case damage may occur from over tightening screws.

NOTE: If your cabinet is metal, use the nylon grommet around the power cord hole to prevent cutting of the cord. We recommend using filler blocks if the cabinet front hangs below the cabinet bottom shelf. When mounting the microwave oven, thread power cord through hole in bottom of top cabinet. Keep it tight throughout steps 1-3. Do not pinch cord or lift oven by pulling cord.

- 1 Lift microwave, tilt it forward, and hook slots at back bottom edge onto four lower tabs of mounting plate.
- 2 Rotate front of oven up against cabinet bottom.
- 3 Attach the microwave oven to the top cabinet.



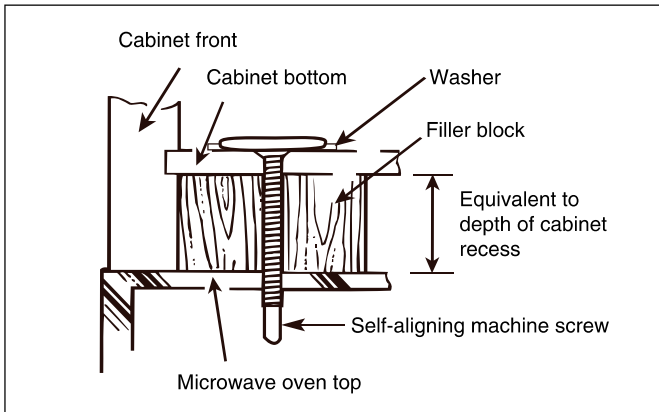
- 4 Insert 2 self-aligning machine screws (1/4"-20 x 3") through outer top cabinet holes. Temporarily secure the oven by turning the screws at least two full turns after the threads have engaged. (They will be completely tightened later.) Be sure to keep power cord tight. Be careful not to pinch the cord, especially when mounting flush to the bottom of cabinet.



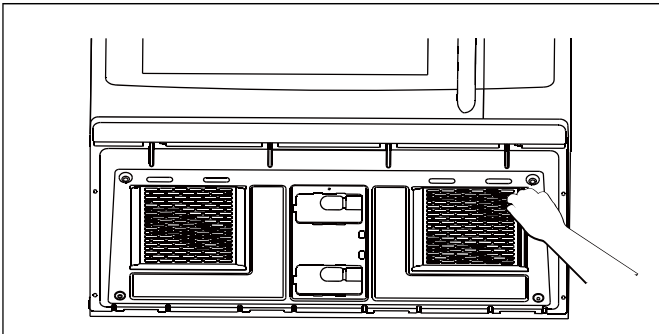
STEP-BY-STEP INSTALLATION GUIDE

The filler block is only used for recessed cabinet and front overhang cabinet (see cabinet types on pages 7 and 8). You should place the filler block to the cabinet bottom before installing the oven.

- 5 Tighten the outer two screws to the top of the microwave oven. While tightening screws, hold the microwave oven in place against the wall and the top cabinet.



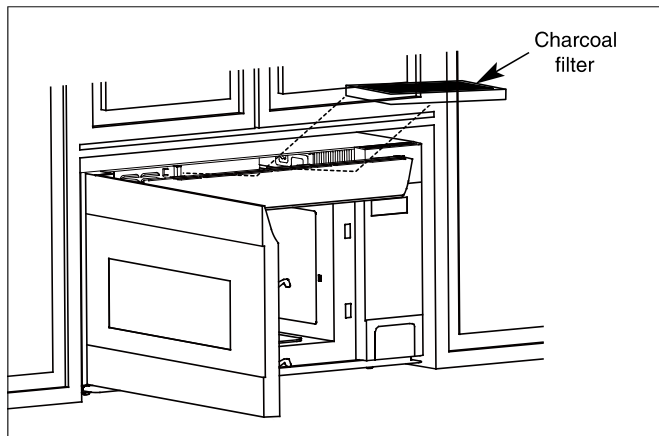
- 6 Install grease filters. See the Operation Manual packed with the microwave.



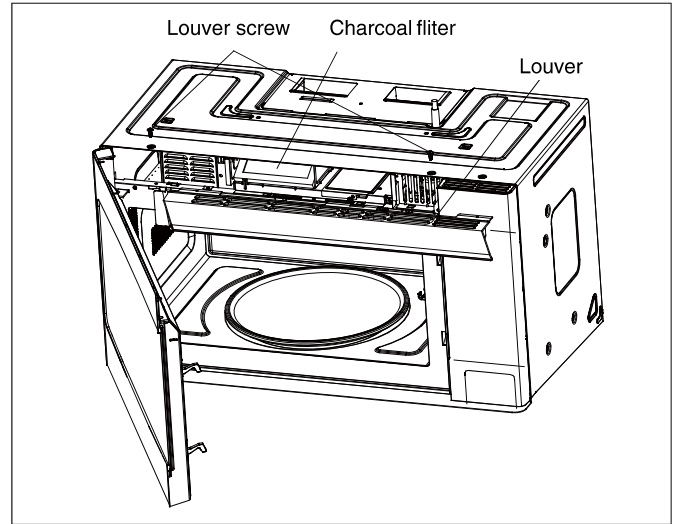
C5. CHANGE THE CHARCOAL FILTER

The charcoal filter is used for non-vented, recirculated installation. The filter should be changed every 6 to 12 months depending on use.

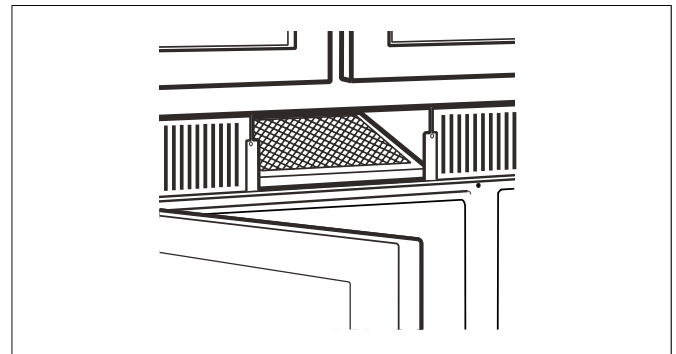
- 1 Remove two screws of the louver, which is on the top of the oven, by using a #1 Phillips screwdriver.



- 2 Open the door, remove the louver, and take the used charcoal filter out.
- 3 Install the new charcoal filter. When properly installed, the wire mesh of the filter should be visible from the front.



- 4 Replace the louver and the screws.



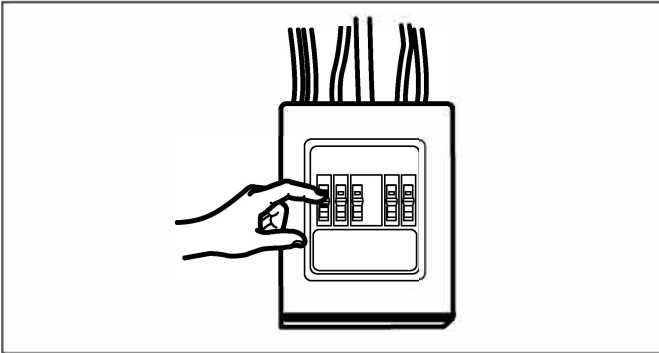
STEP-BY-STEP INSTALLATION GUIDE

BEFORE YOU USE YOUR MICROWAVE

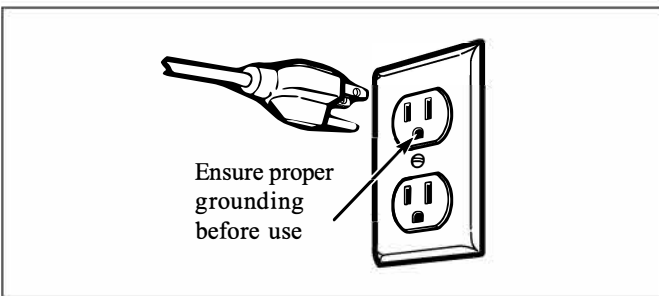
- 1 Make sure the microwave oven has been installed according to instructions.



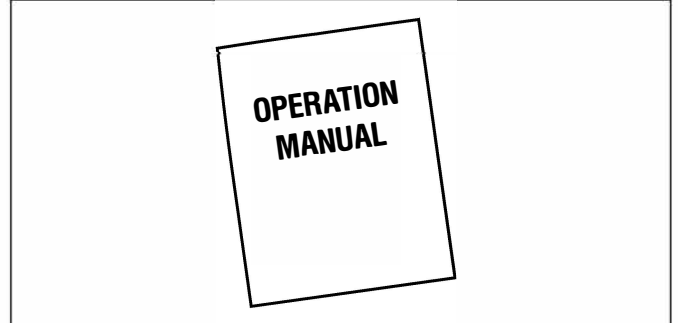
- 2 Remove all packing material from the microwave oven.
- 3 Install the turntable and ring in the cavity.
- 4 Replace house fuse or turn breaker back on.



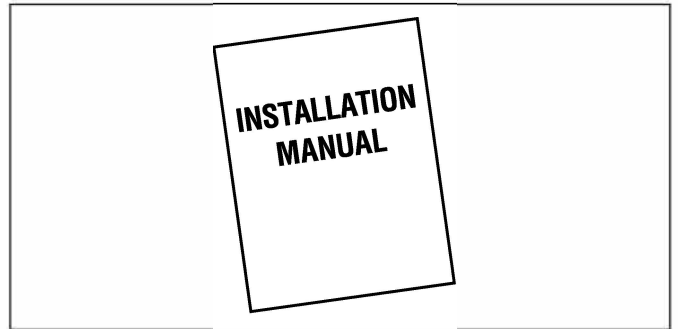
- 5 Plug the power cord into a dedicated 15 amp electrical outlet.



- 6 Read the OPERATION MANUAL.



- 7 KEEP THE INSTALLATION MANUAL FOR THE LOCAL INSPECTOR'S USE.



SHARP®

SHARP ELECTRONICS OF CANADA LTD. • 5995 Avebury Road, Suite 900 • Mississauga, ON L5R 3P9 • Canada
1-877-278-6709