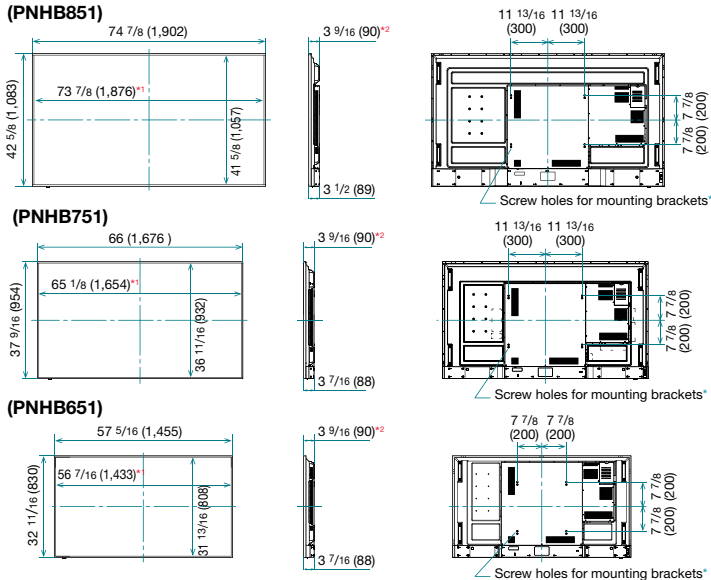


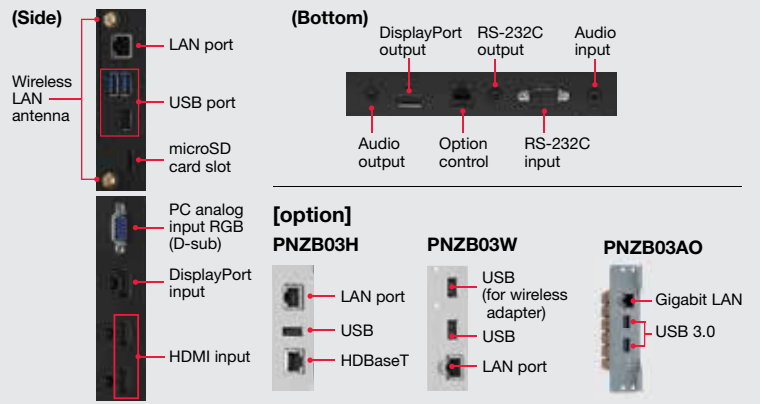
Model Name	PNHB851	PNHB751	PNHB651
Installation	Landscape / Portrait / Face-up		
LCD Panel	85" Class (84 9/16" diagonal) TFT LCD	75" Class (74 9/16" diagonal) TFT LCD	65" Class (64 1/2" diagonal) TFT LCD
Max. Resolution	3,840 × 2,160 pixels		
Max. Display Colours (approx.)	1,070 million colours		
Pixel Pitch (H × V)	0.488 × 0.488 mm	0.430 × 0.430 mm	0.372 × 0.372 mm
Max. Brightness*1	350 cd/m ²		
Contrast Ratio	5,000 : 1		
Viewing Angle (H/V)	178°/178° (CR ≥ 10)		
Active Screen Area (W × H)	73 11/16" × 41 7/16"	65" × 36 9/16"	56 1/4" × 31 5/8"
Response Time	9.5 ms (grey to grey, avg.)		
Backlight	LED, direct lit		
Computer Input	Analog RGB (0.7 Vp-p) [75Ω], DisplayPort 1.2, HDMI		
Synchronization	Horizontal/vertical separation (TTL: positive/negative)		
Plug & Play	VESA DDC2B		
Input Terminals*2	DisplayPort × 1, Mini D-sub 15-pin × 1, HDMI × 2, RS-232C × 1, 3.5 mm-diameter mini stereo jack × 1		
Output Terminals*2	DisplayPort × 1, RS-232C × 1*3, 3.5 mm-diameter mini stereo jack × 1		
Android	Android 7.1		
OS	Android 7.1		
CPU	Hexa Core [Arm Cortex-A72 processor (dual core) + Arm Cortex-A53 processor (quad core)]		
Memory	4 GB		
Storage	32 GB		
External Interface	LAN port (10Base-T/100Base-TX/1000Base-T), microSD card slot (microSD/microSDHC/microSDXC*4) × 1, USB port (3.0-compliant) × 2, USB port (2.0-compliant) × 1		
Wireless LAN	Compliant with IEEE802.11ac/n/a/g/b		
Bluetooth	Compliant with version 4.1 (A2DP/AVRCP/GATT/GAP/HID/HOGP)		
Expansion Slot	12 V, 2.5 A (power supplied when expanding the functions with an optional part)		
Speaker Output	10 W + 10 W		
Mounting	4 points, 600 × 400 mm pitch, M6 screw		4 points, 400 × 400 mm pitch, M6 screw
Power Supply	100 V – 240 V AC, 50/60 Hz		
Power Consumption*5	370 W	320 W	260 W
Environmental Conditions	Operating Temperature*6: 0°C to 40°C		
	Operating Humidity: 20% to 80% RH (no condensation)		
Dimensions (W × D × H) (approx.) (display only)	74 7/8" × 3 1/2" × 42 5/8"	66" × 3 7/16" × 37 9/16"	57 5/16" × 3 7/16" × 32 11/16"
Weight (approx.)*5	105.9 lbs	81.6 lbs	64 lbs
Main Accessories	AC power cord, remote control unit, battery (AAA size) × 2, CD-ROM, set-up manual, cable clamp (insertion type) × 2, cable clamp (stick-on type) × 3, USB flash drive/microSD card cover, USB flash drive/microSD card cover fixing screw, logo sticker, wireless LAN antenna × 2, RS-232C conversion cable × 1		

*1 Brightness depends on input mode and other picture settings. Brightness level will decrease slightly over the lifetime of the product. Due to the physical limitations of the equipment, it is not possible to maintain a precisely constant level of brightness. *2 Use a commercially available connection cable for PC and other video connections. *3 Requires the bundled RS-232C conversion cable. *4 exFAT is not supported. *5 Power consumption and weight may vary from specified levels. *6 When using the monitor lying flat on a surface (or when the monitor is tilted more than 20 degrees upward or downward from the perpendicular in relation to a level surface) the ambient temperature must be within the range of 0°C to 30°C. Temperature conditions may change when using the monitor together with optional equipment. In such cases, check the temperature conditions specified by the optional equipment.

Dimensions



Input/Output Terminals [standard]



Options

- PNZB03H: HDBaseT Receiver Board
- PNZB03W: Wireless Board
- PNZB03AO: Computing Board

PNZB03H	HDBaseT Receiver Board	PNZB03W	Wireless Board
Supported standard	HDBaseT 2.0	Max. resolution	1,920 × 1,080 (30 Hz)
Max. resolution	4,096 × 2,160 (30 Hz)	Wireless communication method	2.4 GHz, IEEE802.11b/g/n 5 GHz, IEEE802.11a/n
Copy protection	HDCP pass-through	Input/output terminals	LAN × 1 (10Base-T/100Base-TX), USB × 1 (USB 2.0), Wireless adapter × 1 (USB 2.0)
Transmission distance	Up-to 328 feet / 100 m	Power supply	From the monitor
Input/output terminals	HDBaseT × 1, LAN × 1 (10Base-T/100Base-TX), USB × 1 (USB 2.0)	PNZB03AO	Computing Board
Power supply	From the monitor	Max. resolution	3,840 × 2,160 (30 Hz)



SHARP

SHARP ELECTRONICS OF CANADA LTD.
335 Britannia Road East, Mississauga, Ontario L4Z 1W9
(905) 890-2100 • www.sharp.ca

©2019 Sharp Electronics of Canada Ltd.
Printed in Canada.

Sharp is a registered trademark of Sharp Corporation. Arm and Cortex are registered trademarks of ARM Limited (or its subsidiaries) in the US and/or elsewhere. Google and Android are either trademarks or registered trademarks of Google LLC. Bluetooth is a registered trademark of Bluetooth SIG, Inc. DisplayPort and the DisplayPort Compliance Logo are trademarks owned by the Video Electronics Standards Association in the United States and other countries. HDBaseT and the HDBaseT Alliance logo are trademarks of the HDBaseT Alliance. The terms HDMI and HDMI High-Definition Multimedia Interface and the HDMI Logo are trademarks or registered trademarks of HDMI Licensing Administrator, Inc. Mac is a trademark of Apple Inc., registered in the U.S. and other countries. Windows is a registered trademark of Microsoft Corporation in the United States and other countries. All other brand names and product names may be trademarks or registered trademarks of their respective owners. All screen images appearing in this brochure are simulated. Design and specifications are subject to change without prior notice.